



IMI CORNELIUS INC.
One Cornelius Place
Anoka, MN. 55303-6234
Telephone 1-800-238-3600
Facsimile 1-800-258-0255

ILLUSTRATED PARTS LIST

FRONT END ASSEMBLY (NATIONAL TWIN)

MODEL NO.

638090900004
638090900005



IMI CORNELIUS INC.
 One Cornelius Place
 Anoka, MN. 55303-6234
 Telephone 1-800-238-3600
 Facsimile 1-800-258-0255

ILLUSTRATED PARTS LIST

FRONT END ASSEMBLY (NATIONAL TWIN)

Item No.	Part No.	Name
1	638000856	Bracket, Solenoid
2	638010081	Solenoid, 120V 60HZ
	638010019	Solenoid, 230V 50HZ
3	638007051-04	Screw, Phil Hd, No. 10-32 By 3/8-In. Long
4	164083002	Hex Nut, No. 10-32
5	638004390	Pin, Clevis
6	638000981	Spacer
7	638001559	Drive Bar Ass'y
8	638000859	Link, Lock
9	638040072	Spring, Level
10	638007337-02	Retainer, E-Ring
11	638005826-02	Latch, Door
12	638000923	Insulation, Door
13	638003023	Sleeve, Door
14	638000901	Insulation, Plate
15	638007201-01	Hex Nut, No. 4-40
16	638000858	Plate, Backing
17	638000875	Gasket, Door
18	638004416	Pin, Pivot
19	638007338-01	Ring, Retaining
20	638004417	Pin, Drive
21	638004418	Spring, Torsion, Upper
22	638004443	Spring, Torsion, Lower
23	638004442	Spacer, Upper
24	638007127-03	Machine Screw, Phil Flt Hd., No. 4-40 By 3/4-In. Long
25	638004026	Spring, Plunger
26	165073000	Washer, .203 I.D.

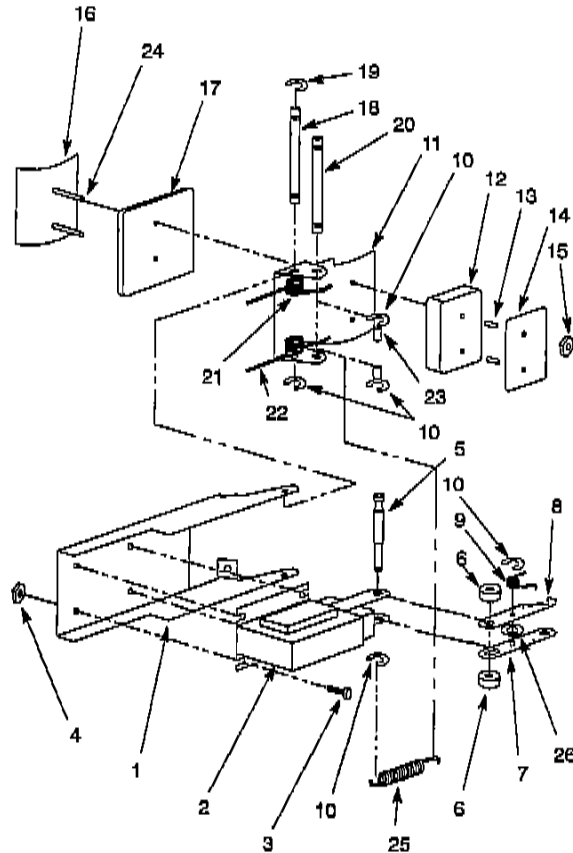


FIGURE 2. MECHANISM COMPONENTS



IMI CORNELIUS INC.
 One Cornelius Place
 Anoka, MN. 55303-6234
 Telephone 1-800-238-3600
 Facsimile 1-800-258-0255

ILLUSTRATED PARTS LIST

FRONT END ASSEMBLY (NATIONAL TWIN)

Item No.	Part No.	Name
1	638004002	Diaphragm
2	638001573	Disc Assy
3	638004004	Bottom
4	638006045	Insulation, Ice Level
5	638004003	Cover, Top
6	638004134	Bracket, Switch
7	638007264-02	Nut, Twin
8	638007009-10	Screw, Type B, No. 6 By 1 1/4-In. Long
9	638001662	Insulator, Switch
10	638007009-02	Screw, Phil Pan Hd., Type B, No. 6 By 3/8-In. Long
11	163424000	Strain Relief
12	638003924	Switch
13	630900496	Washer, .203 I.D.
14	63800733703	Retainer, E-Ring
15	638004001	Cover, Switch
16	63800730403	Washer, Lock, .147 I.D.
17	630900465	Cable

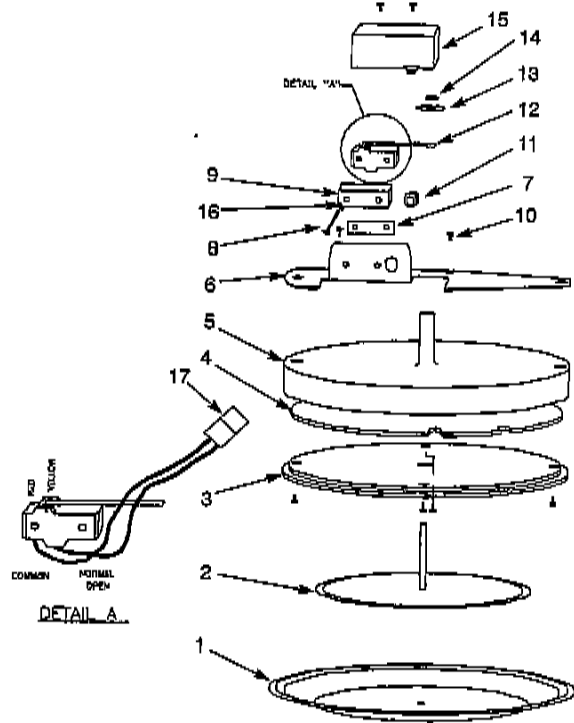


FIGURE 3. ICE LEVEL CONTROL COMPONENTS