



HIGH OUTPUT COUNTERTOP HOT PLATES

HIGH QUALITY COUNTERTOP HOT PLATES



TAHP-12-2



TAHP-24-4



TAHP-36-6



TAHP-48-8

≡ FEATURES & BENEFITS ≡

- STAINLESS STEEL FRONT, SIDE AND 4" FRONT TOP LEDGE.
- EASY CLEANING, DETACHABLE LIFT-OFF 2 PIECE BURNER.
- CENTER CONCENTRATE DESIGN HIGH PERFORMANCE 32,000 BTU/HR BURNER.
- REMOVABLE 12" X 12" HEAVY CAST-IRON TOP GRATES
- GROOVED DESIGN TOP GRATE ENSURE DIRECT HEAT TO COOKING SURFACE.
- TOP GRATE IS DESIGNED TO ALLOW POT TO SLIDE WITHOUT LIFTING.
- REMOVABLE FULL WIDTH GREASE PAN.
- ERGONOMICALLY DESIGNED HEAT RESISTANT PPS (POLY PHENYLENE SULFIDE) ON-OFF KNOB.
- ADJUSTABLE STAINLESS STEEL STANDING PILOT FOR EACH BURNER.
- 3/4" REAR GAS CONNECTION AND GAS PRESSURE REGULATOR.
- 2" STAINLESS STEEL LEGS INCLUDED.
- 4" STAINLESS STEEL LEGS AVAILABLE AS AN OPTION.
- AVAILABLE IN 12", 24", 36" AND 48" WIDE.
- A FULL ONE YEAR LIMITED PARTS AND LABOR WARRANTY.

Distributed By:
 Commercial Refrigeration Service, Inc.
<http://WWW.IceCubes.NET>
 Toll Free: 866-IceMakers
 Phone: 623-869-8881

Model	# of Burners	Total BTUs	Crated Weight (lbs.)	L x D x H* (inches)
TAHP-12-2	2	64,000	101	12 x 30 x 10
TAHP-24-4	4	128,000	167	24 x 30 x 10
TAHP-36-6	6	192,000	233	36 x 30 x 10
TAHP-48-8	8	256,000	295	48 x 30 x 10

* Height does not include 2" for leg height.

TAHP MODELS SPECIFICATIONS

GAS DATA	TAHP-12-2	TAHP-24-4	TAHP-36-6	TAHP-48-8
Gas Type	NAT/LP Convertible	NAT/LP Convertible	NAT/LP Convertible	NAT/LP Convertible
Gas Connection	3/4"	3/4"	3/4"	3/4"
Regulator	3/4"	3/4"	3/4"	3/4"
SHIPPING DATA				
Class	85	85	85	85
Width (in.)	16	28	40	52
Depth (in.)	32	32	32	32
Height (in.)	17	17	17	17
Shipping Weight (lbs.)	101	167	233	295

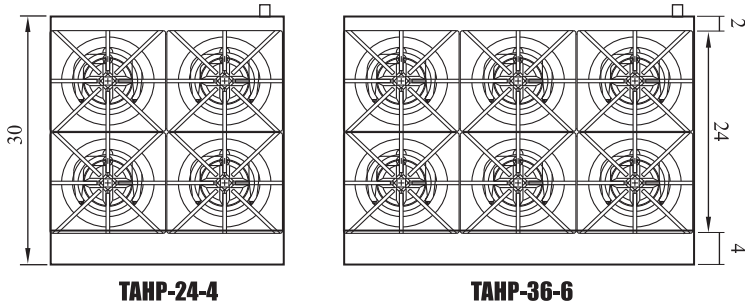
Design and specifications subject to change without notice.
Actual shipping weight may differ due to extra packing materials for product protection.

■ **WARRANTY : 1 Year Parts and Labor Warranty**

Distributed By:
Commercial Refrigeration Service, Inc.
<http://WWW.IceCubes.NET>
Toll Free: 866-IceMakers
Phone: 623-869-8881

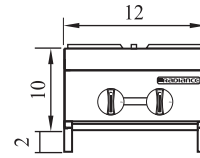
(unit : inch)

PLAN VIEW

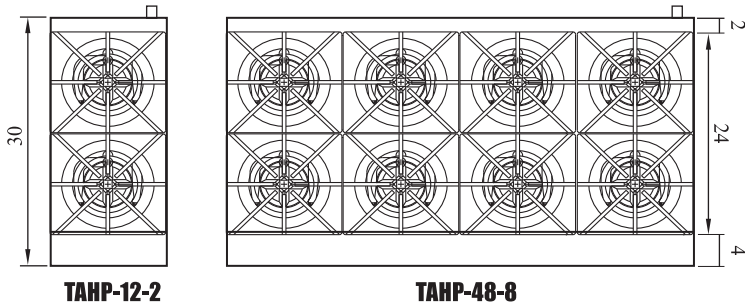


TAHP-24-4

TAHP-36-6



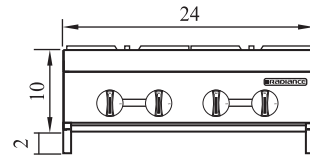
TAHP-12-2



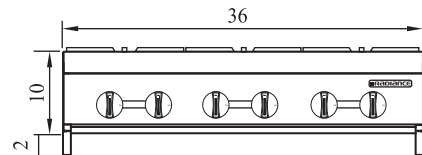
TAHP-12-2

TAHP-48-8

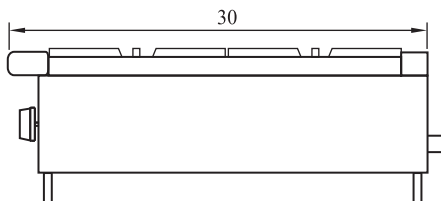
TOP VIEW



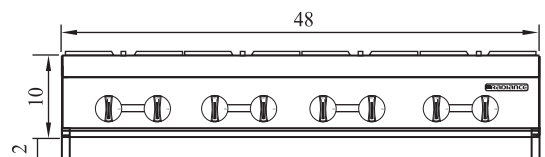
TAHP-24-4



TAHP-36-6



SIDE VIEW



TAHP-48-8

FRONT VIEW