

MFI1256/1255 - Flake Ice Maker



MFI1256 on B55

Features

- Only 21" (533 mm) wide.
- Produces up to 1,115 lbs (506 kg) of ice per day.
- *SystemSafe* load monitoring system constantly checks workload on gearbox — shutting down system before a problem develops and preventing costly repairs.
- Water sensor eliminates low or no water failures and cannot be affected by adverse water conditions.
- Rugged stainless steel evaporator and auger ensures reliability.
- Industrial-grade roller bearings and heavy duty gearbox provide years of trouble free service.

Options & Accessories

Water Filters			
Ice Machine Model	Manifold		Inline
	System	Replacement	System
MFI1255	IFQ2	IOMQ (2)	N/A
MFI1256	IFQ2	IOMQ (2)	N/A

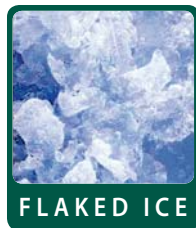
Ice Maker Warranty

Every Ice-O-Matic ice maker is backed by a warranty that provides both parts and labor coverage.

Parts & Labor

- Three years **Parts and Labor**.
- Five years **Parts** coverage on the compressor.

Ice Form



Bin Chart

Kits for Combining Wider Bins with Smaller Models

Ice Storage Bins								
Model No.	B25	B40	B42	B55	B100	B120	B150	B170
Capacity	255 lbs (116 kg)	365 lbs (165 kg)	374 lbs (170 kg)	556 lbs (252 kg)	927 lbs (420 kg)	1193 lbs (541 kg)	1499 lbs (679 kg)	1866 lbs (846 kg)
Width	30 in (762 mm)	30 in (762 mm)	22 in (559 mm)	30 in (762 mm)	48 in (1219 mm)	48 in (1219 mm)	60 in (1524 mm)	60 in (1524 mm)
MFI1255	KBT19	KBT19	KBT24	KBT19	KBT23	KBT23	N/A	N/A
MFI1255 (2)	N/A	N/A	N/A	N/A	KBT22	KBT22	N/A	N/A
MFI1256	KBT19	KBT19	KBT24	KBT19	KBT23	KBT23	N/A	N/A
MFI1256 (2)	N/A	N/A	N/A	N/A	KBT22	KBT22	N/A	N/A

**See Ice-O-Matic Price List for Adapter Kits to combine ice makers with most available ice/beverage dispensers.*

Distributed By:
 Commercial Refrigeration Service, Inc.
 623-869-8881
 or toll free (866) IceMakers
 http://WWW.866IceMakers.COM

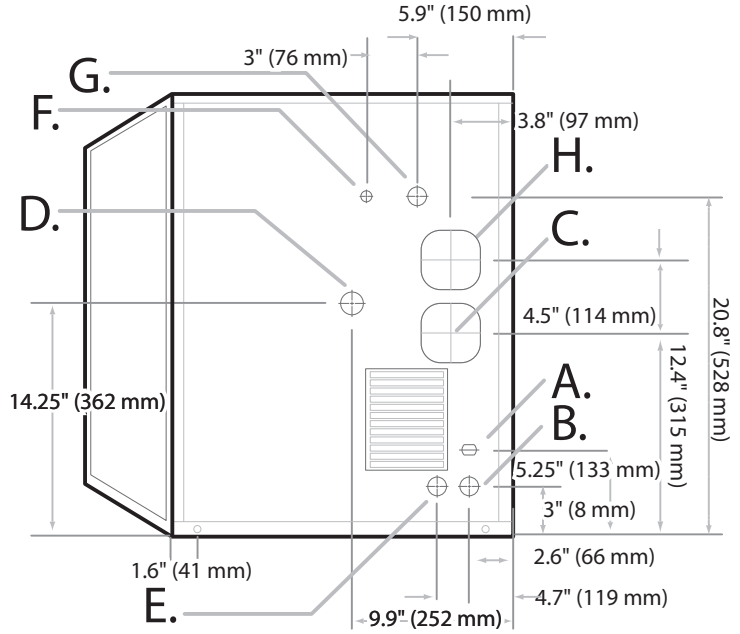
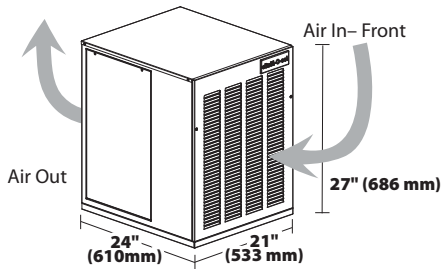


MF112556/1255 Flake Ice Maker

Air Cooled

Please note: air-cooled units require 6" (152 mm) clearance for air intake and exhaust.

- A. Ice maker potable water in, 3/8" Male Flare.
- B. Drain, 3/4" FPT.
- C. Hole for electrical connection.
- D. Condenser inlet (water cooled only) 3/8" FPT
- E. Condenser drain (water cooled only) 1/2" FPT.
- F. Liquid line, 3/8" male coupling for precharged line set (remote only).
- G. Discharge line, 1/2" male coupling for precharged line set (remote only).
- H. Remote condenser junction box (remote only).



Air/Water Cooled
& Remote

Operating Requirements

	Minimum	Maximum	
		60 Hz	50Hz
Ambient Temp. Range Air	50°F (10°C)	100°F (38°C)	110°F (43°C)
Water Temp.	40°F (4.4°C)	100°F (38°C)	90°F (32°C)
Water Pressure	20 PSIG (1.4 BAR)	120 PSIG (8.3 BAR)	

Dimensions

All Models	
W x D x H (inches)	21 x 24 x 27
W x D x H (mm)	762 x 610 x 686

Specifications

Model Number	Cond. Unit	Ice Production per 24hrs		Water Usage per 100lbs (45kg) of ice @ 90°F/32°C air 70°F/ 21°C water		kWH Used per 100 lbs (45 kg) of ice @ 90°F/ 32°C air 70°F/21°C water	Voltage	Min. Circuit Amps	Fuse Size	Approx. BTUs per hour
		70°F/21°C air 50°F/10°C water lbs (kg)	90°F/32°C air 70°F/21°C water lbs (kg)	Potable gal (l)	Condenser gal (l)					
MF11255A	Air	1,115 (506)	828 (375)	12.0	-	4.6	230/50/1	13.4	20	9,000
MF11255W	Water	1231 (558)	1068 (484)	12.0	89.0	3.1	230/50/1	13.1	15	?
MF11256A	Air	1,149 (521)	845 (383)	12.0	-	3.4	208-230/60/1	11.8	15	9,000
MF11256W	Water	1137 (516)	959 (435)	12.0	69.9	2.7	208-230/60/1	11.2	15	9000
MF11256R	Remote*	1054 (478)	867 (393)	12.0	-	3.7	208-230/60/1	15.3	20	9000

NOTES:

Number of Wires: 3 (including ground)
 Approx. Shipping Weight lbs (kg): MF11255A 215 (98) • MF11255W 230 (104) • MF11256A 215 (98) • MF11256W 210 (95) • MF11256R 230 (104)
 Refrigerant Type: R404A

*Requires GRC 1061 Remote Condenser

*Requires GRC 1061 Remote Condenser