



RF-0644 Flake Ice Machine

Model

RF-0644



Model RF-0644
Flake Ice Machine

Standard Features

- Up to 688 lbs. (312 kgs) daily flake ice production.
- 120 lbs. (54 kgs) ice storage capacity.
- High load capacity bearings for enhanced reliability.
- Heavy duty stainless steel cabinet resists corrosion.
- Easy access door, slides up & out of the way.

Warranty

- 3-year Parts
- 2-year Labor
- Compressor parts for 5 years and labor for 2 years.

Standard Equipment

Ice Scoop, 6" Bin Legs, Alternate Low Profile Legs Standard Legs Adjustable from 4-1/2" to 6" Low Profile Non-Adjustable 1/4"

Ice Machine Electric

- 115/60/1. (230/50/1 also available.) 115/60/1 ice machines are factory pre-wired with a 6' (180 cm) power cord and NEMA 5-15P plug configuration.

- 230/50/1 ice machines are factory pre-wired with a 6' (180 cm) bare lead power cord.

Total ampacity:

Air-cooled: 13.5 amps.

Maximum fuse size:

Air-cooled: 25 amps.

HACR-type circuit breakers can be used in place of fuses

Specifications

Condenser Heat of Rejection (BTU per hour):

10,250 (average)

Compressor:

Nominal rating: 1 HP

Refrigerant:

R-404A

Operating Limits:

- Ambient Temperature Range: 50°-110°F (10°-43°C)
- Water Temperature Range: 37°-90°F (3°-32°C)
- Water Pressure Ice Maker Water In: Min. 14 psi (96.5 kPa) Max. 80 psi (551.6 kPa)

Ice Shape

Flake ice is small hard bits of ice ideally suited for presentation applications.



Ice shown actual size

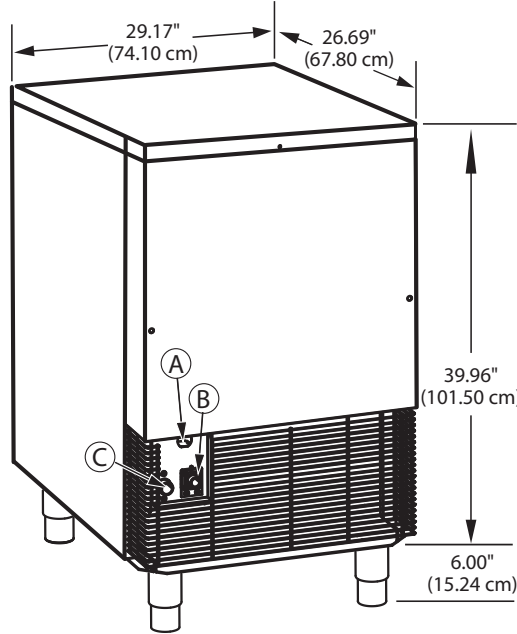




RF-0644 Flake Ice Machine

RF-0644

- (A) Electrical Entrance
- (B) 3/8" (0.95 cm) N.P.T. Ice Making Water Inlet
- (C) 1/2" (1.27 cm) N.P.T. Ice Making Water Outlet



Installation Note
 Minimum installation clearance:
 Sides: 2" (5.1 cm), back: 5" (12.70 cm).

Ice Making and Bin in One

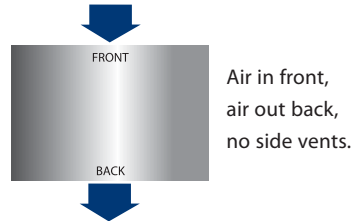


RF-0644

- Height 39.96"
101.50 cm
- Width 29.17"
74.10 cm
- Depth 26.69"
67.80 cm
- Bin Storage 120 lbs.
54 kgs

Height includes adjustable bin legs 4.50" to 6.00",
 11.43 cm to 15.24 cm set at 6.00" (15.24 cm).

Air Flow Overhead View



Air-cooled Ice Machine	Model	Ice Shape	Ice Production 24 Hours		Power kWh/100 lbs @ 90°Air/70°F	Potable Water Usage (100 lbs./45.4 kgs of Ice)	Bin Storage Capacity
			70°Air/50°F Water	90°Air/70°F Water			
			RF-0644A	Flake			

"A" following model number indicates "Air" condensing unit.

4780A ©2011 Manitowoc 4/11 Continuing product improvement may necessitate change of specifications without notice.